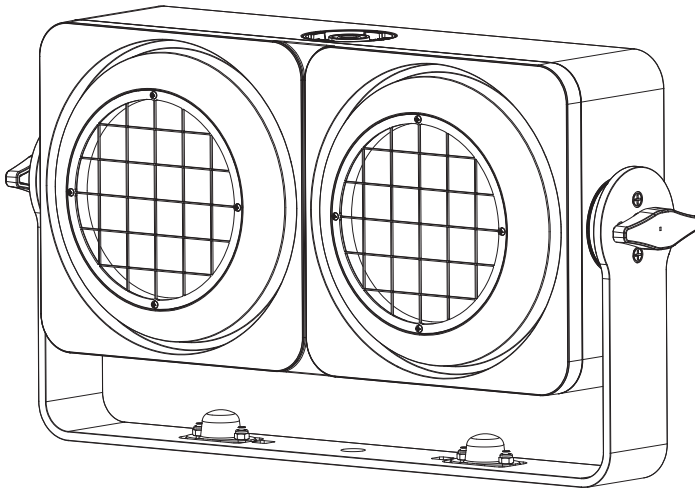


# EK



# Blinder III<sup>IP</sup>

USER MANUAL

## **TABLE OF CONTENTS**

### **Safety**

General instructions

Warnings and installation precautions

### **Introduction**

Features

Specifications

### **Maintenance**

Cleaning the unit

Fuse replacement

Trouble shooting

### **Dimensions**

### **Overview**

### **Connections**

### **Photometrics**

### **DMX Control**

MENU

DMX channels



**WARNING!** Before carrying out any operations with the unit, carefully read this instruction manual and keep it with care for future reference. It contains important information about the installation, user and maintenance of the unit.



## SAFETY

### General instruction

- The products referred to in this manual conform to the European Community Directives and are therefore marked with CE.
- The unit is supplied with hazardous network voltage (230V~). Leave serving to skilled personnel only. Never make any modifications on the unit not described in this instruction manual, otherwise you will risk an electric shock.
- Connection must be made to power supply system fitted with efficient earthing (Class I appliance according to standard EN60598-1). It is moreover, recommended to protect the supply lines of the units from indirect contact and/or shorting to earth by using appropriately sized residual current devices.
- The connection to the main network of electric distribution must be carried out by a qualified electrical installer. Check that the main frequency and voltage correspond to those for which the unit is designed as given on the electrical data label.
- This unit is not for home use, only professional applications.
- Never use the fixture under the following conditions:
  - in places subject to vibrations or bumps;
  - in places with a temperature of over 40 °C.
- Make certain that no inflammable liquids, water or metal objects enter the fixture,
- Do not dismantle or modify the fixture.
- All work must always be carried out by qualified technical personnel. Contact the nearest sales point for an inspection or contact the manufacturer directly.
- If the unit is to be put out of operation definitively, take it to a local recycling plant for a disposal which is not harmful to the environment.



### Warnings and installation precautions

- If this device will be operated in any way different to the one described in this manual, it may suffer damage and the guarantee becomes void. Furthermore, any operation may lead to dangers like short circuit, burns, electric shock, etc.
- Before starting any maintenance work or cleaning the fixture, cut off power from the main supply.
- Always additionally secure the fixture with the safety rope. When carrying out any work, always comply scrupulously with all the regulations (particularly regarding safety) currently in force in the country in which the fixture is being used.
- Install the fixture in a well ventilated place.
- Keep any inflammable materials at a safe distance from the fixture.
- Shields, lenses or ultraviolet screens shall be changed if they have become damaged to such an extent that their effectiveness is impaired.
- The lamp (LED) shall be changed if it has become damaged or thermally deformed.
- Never look directly at the light beam. Please note that fast changes in lighting, e.g. flashing light, may trigger epileptic seizures in photosensitive persons or persons with epilepsy.
- Do not touch the product's housing when operating because it may be very hot.

## INTRODUCTION

### FEATURES

- 147W 2800K bi-color COB LED(WW/Amber)
- Advanced optical system delivers a super high output of 10600lm
- CRI≥90
- Fan-free design and quiet operation suitable for studio use
- Selectable PWM frequency for flicker-free video with any camera
- 4 dimming curves with 16-bit control for smooth dimming
- Consistent color temperature throughout the dimming curve
- Built-in macros make for easy programming of stunning effects
- Rugged touring-grade design with optional 1\*4 or 2\*2 master brackets (sold separately) to achieve versatile mounting options

### SPECIFICATIONS

Light Source:	2 x 147W 2800K LED
Beam Angle:	60°
Field Angle:	98°
Tilt:	360°
Output:	10600lm
PWM Frequency:	600Hz/1.2KHz/4KHz/25KHz
Strobe:	1-30Hz Motorized
Dimmer:	0~100% dimming
Control:	DMX512/RDM
DMX Channels:	1CH/2CH/3CH/4CH/5CH/8CH
Built-in Programs:	Yes
Display:	LCD
Mains:	100 - 240 VAC, 50/60 Hz
Consumption:	142.3W/120V 140.3W/230V
Power Connections:	IP65 IN/OUT
Data Connections:	IP65 XLR IN/OUT
Housing Materials:	Magnesium Alloy
Finish:	Black matt
IP Grade:	IP65
Ambient:	-10°C~45°C
Cooling:	Passive
Physical Dimensions:	432.4*100.1*229.8mm
Weight:	6.04KG

## MAINTENANCE

### MAINTENANCE AND CLEANING THE UNIT

- Make sure the area below the installation place is free from unwanted person during setup.
- Switch off the unit,unplug the main cable and wait till the unit has cooled down.
- All screws used for installing the device and any of its parts should be tightly fastened and should not be corroded.
- Housings,fixations and installation spots (ceiling,trusses,suspensions) should be totally free from any deformation.
- The main cables must be in impeccable condition and should be replaced immediately even when a small problem is detected.
- It is recommended to clean the front at regular intervals,from impurities caused by dust,smoke,or other particles to ensure that the light is radiated at maximum brightness.For cleaning,disconnect the main plug from the socket.Use a soft,clean cloth moistened with a mild detergent.Then carefully wipe the parts dry. For cleaning other housing parts use only a soft,clean cloth.Never use a liquid,it might penetrate the unit and cause damage to it.

### FUSE REPLACEMENT

- 1.Disconnect this product from the power outlet.
- 2.Using a screwdriver,unscrew the fuse holder cap from the housing.
- 3.Remove the blown fuse and replace with a good fuse of the same type and rating (250V/T3.15A).
- 4.Screw the fuse holder cap back in place and reconnect power.

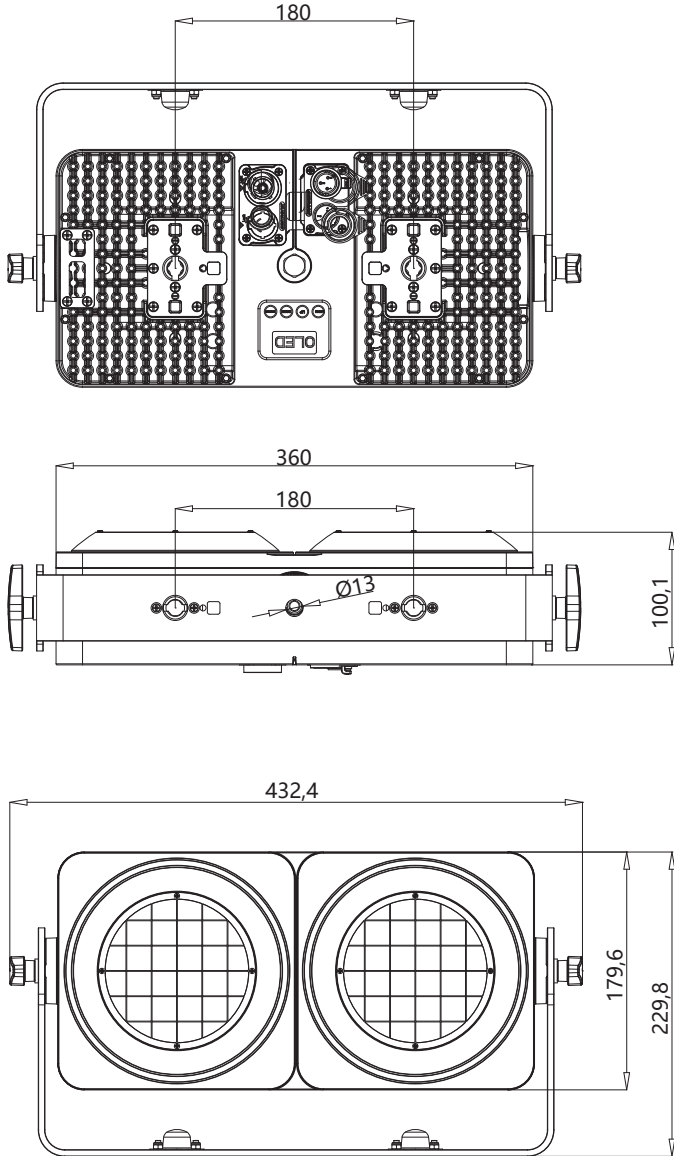


## TROUBLESHOOTING

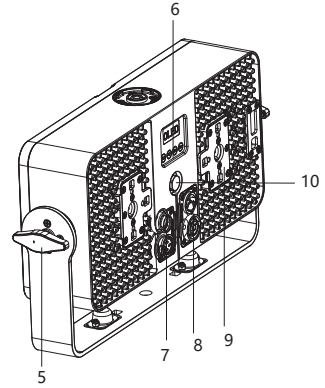
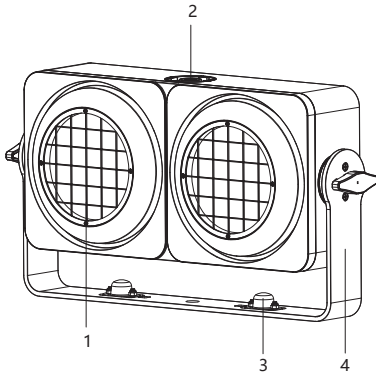
Problems	Possible causes	Checks and remedies
Fixture does not light up	<ul style="list-style-type: none"> <li>• No mains supply</li> <li>• Dimmer fader set to 0</li> <li>• Faulty LED</li> <li>• Faulty LED board</li> </ul>	<ul style="list-style-type: none"> <li>• Check the power supply voltage</li> <li>• Increase the value of the dimmer channels</li> <li>• Replace the LED board</li> <li>• Replace the LED board</li> </ul>
General low light intensity	<ul style="list-style-type: none"> <li>• Dirty lens assembly</li> <li>• Misaligned lens assembly</li> </ul>	<ul style="list-style-type: none"> <li>• Clean the fixture regularly</li> <li>• Install lens assembly properly</li> </ul>
Fixture does not power up	<ul style="list-style-type: none"> <li>• No power</li> <li>• Loose or damaged power cord</li> <li>• Faulty internal power supply</li> </ul>	<ul style="list-style-type: none"> <li>• Check for power on power outlet</li> <li>• Check power cord</li> <li>• Replace internal power supply</li> </ul>

Contact an authorized service center in case of technical problems or not reported in the above table cannot be resolved by the procedure given in the table.

# DIMENSION

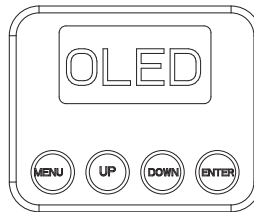


## OVERVIEW



- 1.Egg Crate
- 2.Locking Gear
- 3.Quick Lock
- 4.Mounting Bracket
- 5.Tightening Knob

- 6.Display and menu buttons
- 7.DMX IN/OUT
- 8.IP Power in/out
- 9.Omega Bracket
- 10.Gore Valve



### BASIC FUNCTIONS AND OPERATION

UP	DOWN	MODE	ENTER
Increase the displayed value, or scroll thru previous menu items	Decrease the displayed value, or scroll thru next menu items	Display main menu, or return to higher menu levels	Confirm displayed values, or activate displayed functions, or enter submenus

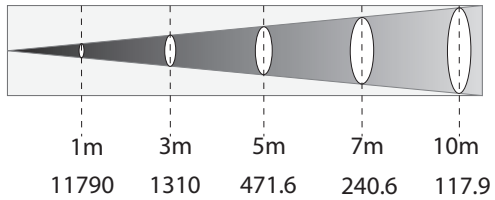
### PHOTOMETRICS

Beam angle:58.8°

FULL on

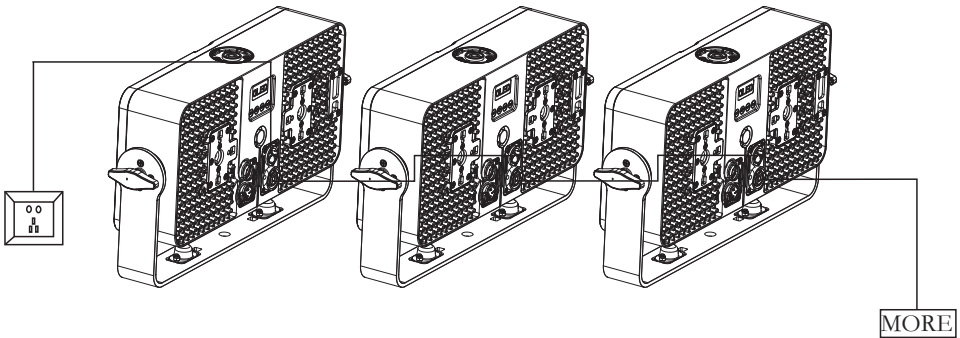
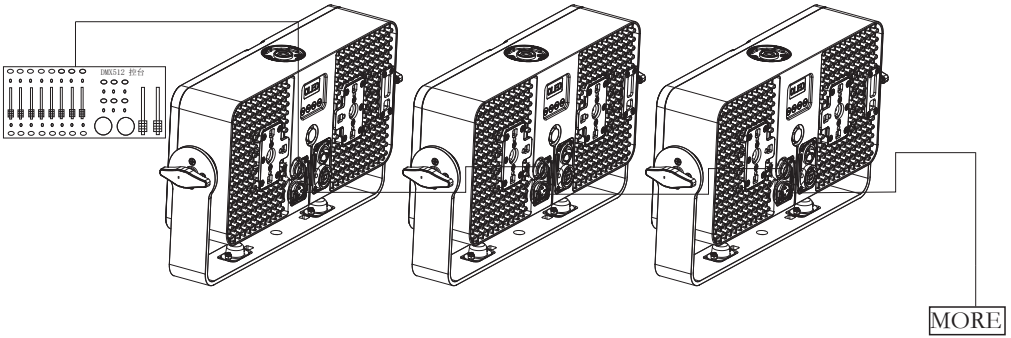
Project Distance(m)

luminance(lux)



Beam Angle: 58.8°	Diameter (cm)	φ112.6cm	φ337.9cm	φ562.2cm	φ788.5cm	φ1126.4cm
FULL ON(Lux) (C700)	Distance(m)	1m	3m	5m	7m	10m
	WW	11790	1310	471.6	240.6	117.9

## DMX/Power Connections and DMX address code setting



DMX MODE	1st Fixture	2nd Fixture	3rd Fixture	4th Fixture
1 channel	001	002	003	004
2 channels	001	003	005	007
3 channels	001	004	007	010
4 channels	001	005	009	013
5 channels	001	006	011	016
8 channels	001	009	016	023

Menu(-)					
NO.	Main Menu	Menu level 2	Menu level 3	Menu level4	Remark
1	DMX Address	001			Default: 001
2	DMX Channel	1Ch			Default: 8CH
		2Ch			
		3Ch			
		4Ch			
		5Ch			
		8Ch			
3	Static	Dimmer	<255>		Default: Dimmer=255;Strobe=0
		Strobe	<0>		
4	Auto Show	Auto 1	<100>		Default: Auto 1;Speed:100
		Auto 2	<100>		
		Auto 3	<100>		
		Auto 4	<100>		
		Auto 5	<100>		
		Auto 6	<100>		
5	Red Shift	On			Default: On
		Off			
6	Master/Slave	Master			Default: Slave
		Slave			
7	Dimmer Mode	Off			Default: Off
		Dimmer 1			
		Dimmer 2			
		Dimmer 3			
8	LED Frequency	600Hz			Default: 1200Hz
		1200 Hz			
		2000 Hz			
		4000 Hz			
		25KHz			
9	Back Light	10S			Default: 2Min
		30S			
		2Min			
		Always On			
10	Key Lock	On			Default: On
		Off			
11	Information	Fixture Hours	<9999>		
		LED Hours	<9999>		
		Version	<V1.0>		
		UID	*****		
12	Temperature	<LED1: 40°C>			
		<LED2: 40°C>			
13	Factory Reset	No			Default: No
		Yes			

DMX Channel(-)				
1-CH	Function	Value	Percent/Setting	Remark
1	Dimmer	000-255	0~100%	

2CH	Function	Value	Percent/Setting	Remark
1	White1	000-255	0~100%	
2	White2	000-255	0~100%	

3CH	Function	Value	Percent/Setting	Remark
1	Dimmer	000-255	0~100%	
2	Red Shift On/OFF	000-000 001-255	ON OFF	
3	Dimmer Speed Mode	000-051 052-101 102-152 153-203 204-255	No function Dimmer speed mode off (Hold 3S, override menu and change) Dimmer speed mode1 (Hold 3S, override menu and change) Dimmer speed mode2 (Hold 3S, override menu and change) Dimmer speed mode3 (Hold 3S, override menu and change)	

4CH	Function	Value	Percent/Setting	Remark
1	White1	000-255	0~100%	
2	White2	000-255	0~100%	
3	Red Shift On/OFF	000-000 001-255	ON OFF	
4	Dimmer Speed Mode	000-051 052-101 102-152 153-203 204-255	No function Dimmer speed mode off (Hold 3S, override menu and change) Dimmer speed mode1 (Hold 3S, override menu and change) Dimmer speed mode2 (Hold 3S, override menu and change) Dimmer speed mode3 (Hold 3S, override menu and change)	

5CH	Function	Value	Percent/Setting	Remark
1	Dimmer	000-255	0~100%	
2	Red Shift On/OFF	000-000 001-255	ON OFF	
3	Strobe	000-010 011-132 133-255	No Function Strobe slow to fast(All pods) Strobe slow to fast (Random strobe macros)	
4	Auto Programs	000-010 011-040 041-080 081-120 121-160 161-200 201-240 241-255	No function Auto 1 slow to fast Auto 2 slow to fast Auto 3 slow to fast Auto 4 slow to fast Auto 5 slow to fast Auto 6 Slow to fast No function	
5	Dimmer Speed Mode	000-051 052-101 102-152 153-203 204-255	No function Dimmer speed mode off (Hold 3S, override menu and change) Dimmer speed mode1 (Hold 3S, override menu and change) Dimmer speed mode2 (Hold 3S, override menu and change) Dimmer speed mode3 (Hold 3S, override menu and change)	

8CH	Function	Value	Percent/Setting	Remark
1	Dimmer	000-255	0~100%	
2	Dimmer Fine	000-255	0~100%	
3	Red Shift On/OFF	000-000 001-255	ON OFF	
4	Strobe	000-010 011-132 133-255	No Function Strobe slow to fast(All pods) Strobe slow to fast (Random strobe macros)	
5	White 1	000-255	0~100%	
6	White 2	000-255	0~100%	
7	Auto Programs	000-010 011-040 041-080 081-120 121-160 161-200 201-240 241-255	No function Auto 1 slow to fast Auto 2 slow to fast Auto 3 slow to fast Auto 4 slow to fast Auto 5 slow to fast Auto 6 Slow to fast No function	
8	Dimmer Speed Mode	000-051 052-101 102-152 153-203 204-255	No function Dimmer speed mode off (Hold 3S, override menu and change) Dimmer speed mode1 (Hold 3S, override menu and change) Dimmer speed mode2 (Hold 3S, override menu and change) Dimmer speed mode3 (Hold 3S, override menu and change)	



**EK**